

CRIMP TERMINALS



+ INFORMATION

- + A comprehensive range of pre-insulated and un-insulated Crimp Terminals.
- + Manufactured from tin coated high conductivity copper and brass.
- + High grade PVC insulation ensures complete integrity of the termination.
- + Meet the requirements of BS EN and international standards.

+ PROPERTIES

Temperature range
-20°C to +75°C

Insulation Material
PVC

Specification
Red insulation: Conductor size 0.5 -1.5mm² / 22-16 awg
Blue insulation: Conductor size 1.5 - 2.5mm² / 16-14 awg
Yellow insulation: Conductor size 4.0 - 6.0mm² / 12-10 awg

Standard Terminals
Maximum Voltage: 600 Volt
UL Approval numbers: E482299/E482300
Terminal Material: C1100 Copper

Approvals
UL File number E482299/E482300.

Packaging
Supplied in bags of 100

Tabs and Receptacles:
Maximum Voltage: 300 Volt
UL Approval numbers: E482299/E482300
Terminal Material: C2680 Brass

VR indicates 'Vibration Resistant' - Extra copper ring within the crimp terminal.



+ RELATED PRODUCTS



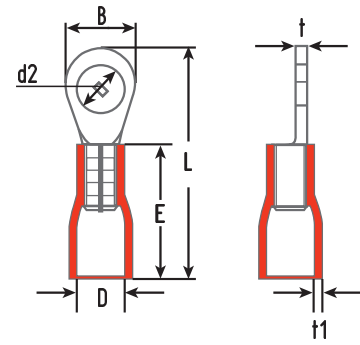
CRIMPING TOOLS
▶ PAGE 48



CRIMPER KITS
▶ PAGE 70

PRE-INSULATED CRIMP TERMINALS

+ RING TERMINALS

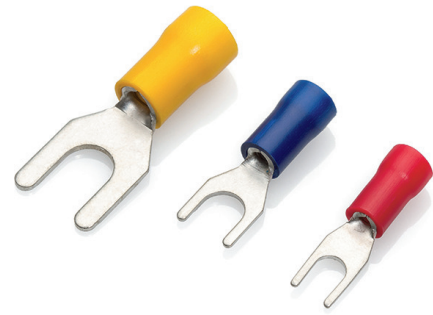
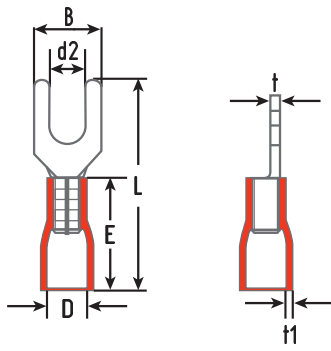


CAT NO	DIMENSIONS (mm)							INSULATION COLOUR
	d2	B	L	D	E	t	M	
RR32	3.20	5.50	17.50					
RR37	3.70	5.50	17.50					
RR43	4.30	8.00	21.70					
RR53	5.30	8.00	21.70	4.30	10.50	0.75	0.80	RED
RR64	6.40	11.60	27.60					
RR84	8.40	11.60	27.60					
RR105	10.50	13.70	31.50					
BR32	3.20	8.50	23.00					
BR37	3.70	6.60	20.60					
BR43	4.30	8.50	23.00					
BR53	5.30	9.50	23.00	4.70	11.00	0.80	0.80	BLUE
BR64	6.40	12.00	28.10					
BR84	8.40	12.00	28.10					
BR105	10.50	13.70	31.90					
BR120	13.00	19.00	35.50					
YR43	4.30	9.50	26.70					
YR53	5.30	9.50	26.70					
YR64	6.40	12.00	32.70					
YR84	8.40	15.00	34.90	6.70	14.00	1.00	0.80	YELLOW
YR105	10.50	15.00	34.90					
YR120	13.00	19.20	39.60					



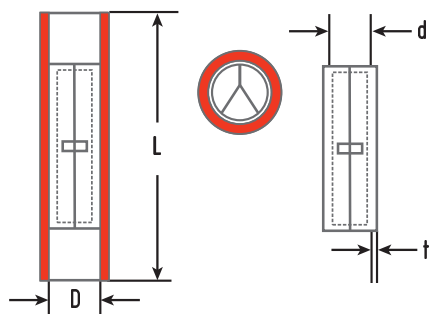
PRE-INSULATED CRIMP TERMINALS

+ FORK/SPADE TERMINALS



CAT NO	DIMENSIONS (mm)							INSULATION COLOUR
	d2	B	L	D	E	t	t1	
RS32N	3.20	5.70	22.00					
RS37	3.70	6.20	22.00					
RS37N	3.70	5.70	22.00					
RS43	4.30	7.20	22.00	4.30	10.50	0.75	0.80	RED
RS43N	4.30	6.40	22.00					
RS53	5.30	8.00	22.00					
RS64	6.40	10.70	23.00					
BS32N	3.20	5.70	22.50					
BS37	3.70	6.20	22.50					
BS37N	3.70	5.70	22.50					
BS43	4.30	7.20	22.50	4.70	11.00	0.80	0.80	BLUE
BS43N	4.30	6.40	22.50					
BS53	5.30	8.00	22.50					
BS64	6.40	10.70	23.50					
YS37	3.70	8.10	26.70					
YS43	4.30	8.20	26.70					
YS53	5.30	9.00	26.70	6.70	14.00	1.00	0.80	YELLOW
YS64	6.40	12.00	30.70					
YS84	8.40	13.50	32.60					

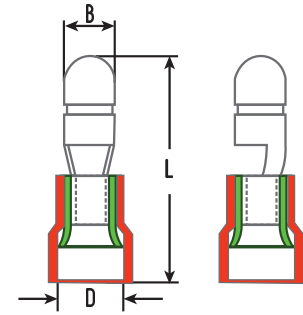
+ BUTT CONNECTORS



CAT NO	DIMENSIONS (mm)				INSULATION COLOUR
	d	D	L	t	
RBC4	1.70	4.30	25.00	0.75	RED
BBC45	2.30	4.50	25.00	0.80	BLUE
YBC68	3.40	6.50	27.00	1.00	YELLOW

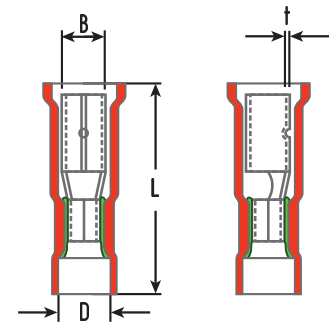
PRE-INSULATED CRIMP TERMINALS

+ MALE BULLET



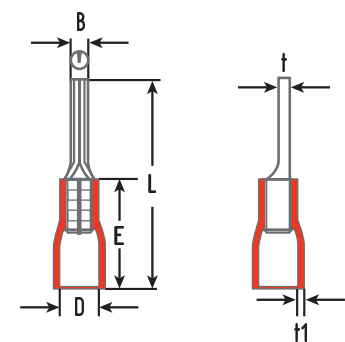
CAT NO	DIMENSIONS (mm)			INSULATION COLOUR
	D	B	L	
RMB40/VR	4.10	4.00	21.50	RED
BMB50/VR	4.90	5.00	22.50	BLUE
YMB50/VR	6.50	5.00	26.00	YELLOW

+ FEMALE BULLETS



CAT NO	DIMENSIONS (mm)				INSULATION COLOUR
	D	B	L	t	
RFB40/VR	4.30	4.65	24.50		RED
BFB50/VR	4.90	5.65	24.50	0.40	BLUE
YFB50/VR	6.50	5.65	28.00		YELLOW

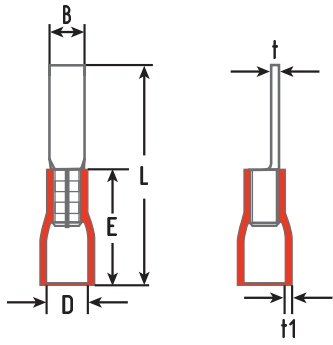
+ PIN TERMINALS



CAT NO	DIMENSIONS (mm)						INSULATION COLOUR
	B	L	D	E	t	t1	
RP10	2.00	22.50	4.30	10.50	0.75	0.80	RED
BP10	2.00	23.00	4.70	11.00	0.80	0.80	BLUE
YP14	2.70	27.50	6.70	14.00	1.00	0.80	YELLOW

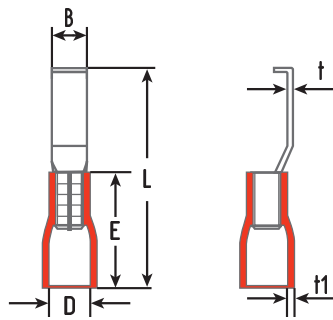
PRE-INSULATED CRIMP TERMINALS

+ BLADE TERMINALS



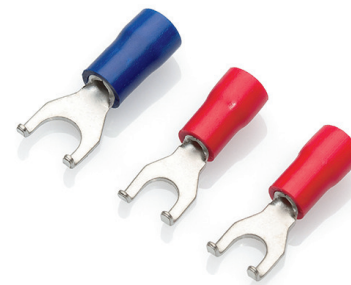
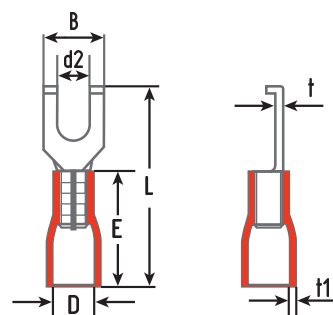
CAT NO	DIMENSIONS (mm)						INSULATION COLOUR
	B	L	D	E	t	t1	
RB11	3.00	21.50					
RB14	3.00	25.00	4.30	10.50	0.75	0.80	RED
RB18	2.45	28.50					
BB9	2.80	20.00	4.70	11.00	0.80	0.80	BLUE
BB18	2.45	29.00					
YB10	2.80	24.00	6.70	14.00	1.00	0.80	YELLOW
YB18	2.80	32.00					

+ HOOK BLADE TERMINALS



CAT NO	DIMENSIONS (mm)						INSULATION COLOUR
	B	L	D	E	t	t1	
RHBL3.0	2.80	28.50	4.30	10.50	0.80	0.80	RED
RHBL4.6	4.60	28.50					
BHBL3.0	2.80	28.50	4.70	11.00	0.80	0.80	BLUE
BHBL4.6	4.60	28.50					
YHBL3.0	2.80	31.80	6.70	14.00	1.00	0.80	YELLOW

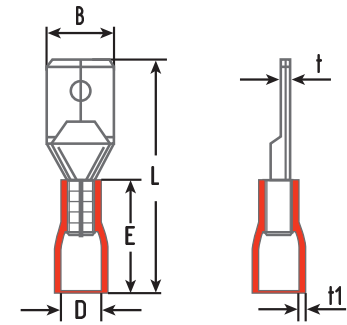
+ FLANGED FORK/SPADE



CAT NO	DIMENSIONS (mm)							INSULATION COLOUR
	d2	B	L	D	E	t	t1	
RFS43	4.30	7.20	22.00	4.30	10.50	0.75	0.80	RED
BFS43	4.30	7.20	22.50	4.70	11.00	0.80	0.80	BLUE
BFS43	5.30	8.00	25.50	6.70	14.00	0.80	0.80	YELLOW

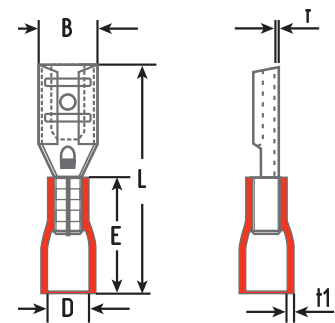
PRE-INSULATED CRIMP TERMINALS

+ MALE TAB TERMINAL



CAT NO	DIMENSIONS (mm)					t	t1	INSULATION COLOUR
	D	B	L	E				
RM50/VR	4.10	4.80	22.00	10.50			RED	
RM63/VR	4.10	6.40	22.00	10.50			RED	
BM50/VR	4.90	4.80	22.50	11.00	0.80	0.80	BLUE	
BM63/VR	4.90	6.40	22.50	11.00			BLUE	
YM63/VR	6.50	6.40	24.50	14.00			YELLOW	

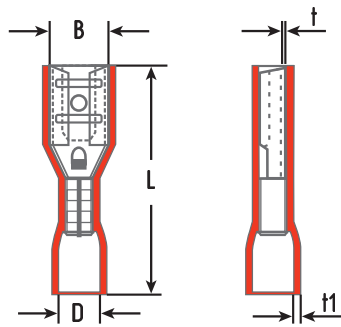
+ FEMALE PUSH ON



CAT NO	TO SUIT TAB		DIMENSIONS (mm)				t	t1	INSULATION COLOUR
	WIDTH	THICKNESS	D	B	L	E			
RF32/05/VR	2.80	0.50	4.10	3.20	19.00	10.50	0.50	RED	
RF32/08/VR	2.80	0.80	4.10	3.20	19.00	10.50			
RF50/05/VR	4.80	0.50	4.10	5.00	19.50	10.50	0.80	BLUE	
RF50/08/VR	4.80	0.80	4.10	5.00	19.50	10.50			
RF66/08/VR	6.40	0.80	4.10	6.70	21.50	10.50			
BF50/05/VR	4.80	0.50	4.90	5.00	20.00	11.00	0.80	BLUE	
BF50/08/VR	4.80	0.80	4.90	5.00	20.00	11.00			
BF66/08/VR	6.40	0.80	4.90	6.70	22.00	11.00			
BF80/08/VR	8.20	0.80	4.90	8.50	24.50	11.00			
YF66/08/VR	6.40	0.80	6.50	6.70	25.00	14.00	1.00	YELLOW	
YF100/08/VR	9.40	1.20	6.50	9.90	30.10	14.00			

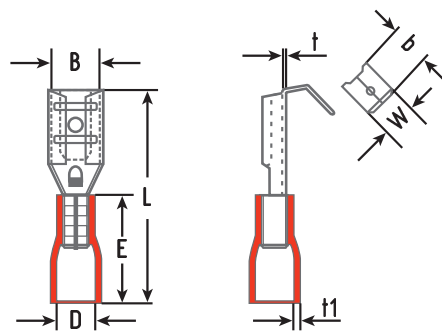
PRE-INSULATED CRIMP TERMINALS

+ FULLY INSULATED PUSH ON



CAT NO	TO SUIT TAB		DIMENSIONS (mm)					INSULATION COLOUR
	WIDTH	THICKNESS	D	B	L	t	m1	
RF32/FI/VR	2.80	0.80	4.10	3.20	20.50	0.25		RED
RF50/FI/VR	4.80	0.80	4.10	5.00	20.50			
RF66/FI/VR	6.40	0.80	4.10	6.70	22.00			
BF50/FI/VR	4.80	0.80	4.90	5.00	21.50	0.40	0.80	BLUE
BF66/FI/VR	6.40	0.80	4.90	6.70	22.50			
YF66/FI/VR	6.40	0.80	6.70	6.70	25.00			YELLOW

+ PIGGY BACK TERMINALS



CAT NO	TO SUIT TAB		DIMENSIONS (mm)						INSULATION COLOUR
	TAB WIDTH	TAB THICKNESS	D	B	L	E	t	m1	
RPB63/VR	6.40	0.80	4.10	6.70	22.50	10.50	0.40	0.80	RED
BPB63/VR	6.40	0.80	4.90	6.70	23.00	11.00	0.40	0.80	BLUE

+ RELATED PRODUCTS



CRIMPING TOOLS

▶ PAGE 48



CRIMPER KITS

▶ PAGE 70



+ INFORMATION

- + In response to numerous requests from customers we have now added 90° angled pre-insulated terminals to our range.
- + Any of our standard range of Ring, Fork or Blade terminals can be supplied in this form
- + To order, add RA to the end of the part number, as shown below.
- + If you require further information, please contact our sales department.

+ PART NUMBERS

e.g. **BR64 RA**

a 90° blue ring terminal with a 6.4mm hole

+ RELATED PRODUCTS



CRIMPING TOOLS

▶ PAGE 48

PRE-INSULATED CRIMP TERMINALS KITS

+ KIT-INS1 - CONTAINING



- + 1 x CT15 ratchet crimping tool

Plus:

50 x RR43	Red ring 4.3mm
50 x BR53	Blue ring 5.3mm
25 x YR64	Yellow ring 6.4mm
50 x RBC4	Red butt connector
50 x BBC45	Blue butt connector
25 x YBC68	Yellow butt connector

To order this kit with a calibration certificate use catalogue number: **KIT-INS1CAL**

+ KIT-INS2 - CONTAINING



- + 1 x CT15 ratchet crimping tool

Plus:

50 x RM63/VR	Red male tab
25 x RF66/FI/VR	Red FI push on
50 x BM63/VR	Blue male tab
25 x BF66/FI/VR	Blue FI push on
50 x RBC4	Red butt connector
50 x BBC45	Blue butt connector

To order this kit with a calibration certificate use catalogue number: **KIT-INS2CAL**

+ KIT-HSB1 - CONTAINING



- + 1 x CT-HSB ratchet crimping tool

Plus:

50 x HSB1.25	Red 0.5 - 1.5mm ²
50 x HSB2.0	Blue 2.5mm ²
40 x HSB5.5	Yellow 4.0 - 6.0mm ²

To order this kit with a calibration certificate use catalogue number: **KIT-HSB1CAL**

