

## UN-INSULATED CRIMP TERMINAL



### + INFORMATION

- + A comprehensive range of un-insulated Crimp Terminals.
- + Manufactured from tin coated high conductivity copper and brass.
- + Meet the requirements of BS EN and international standards.

### + PROPERTIES

**Temperature range**  
-20°C to +75°C

**Insulation Material**  
None

**Specification**  
(Red) Conductor size 0.5 - 1.5mm<sup>2</sup> / 22-16 awg  
(Blue) Conductor size 1.5 - 2.5mm<sup>2</sup> / 16-14 awg  
(Yellow) Conductor size 4.0 - 6.0mm<sup>2</sup> / 12-10 awg

**Approvals**  
UL File number E482299/E482300.

**Packaging**  
Supplied in bags of 100

#### STANDARD TERMINALS:

**Maximum Voltage**  
600 Volt

**UL Approval numbers**  
UL File number E482299/E482300

**Terminal Material**  
C1100 Copper

#### TABS AND RECEPTACLES:

**Maximum Voltage**  
300 Volt

**UL Approval numbers**  
E482299/E482300

**Terminal Material**  
C2680 Brass



### + RELATED PRODUCTS

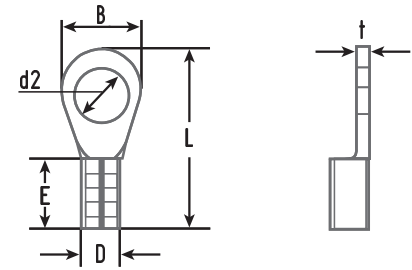


#### CRIMPING TOOLS

▶ PAGE 50

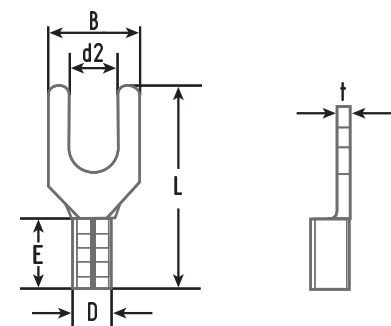
# UN-INSULATED CRIMP TERMINALS

## + RING TERMINALS



CAT NO	DIMENSIONS (mm)					
	d2	B	L	D	E	t
URR32	3.20	5.50	11.50			
URR37	3.70	5.50	11.50			
URR43	4.30	8.00	15.80			
URR53	5.30	8.00	15.80	3.45	4.30	0.75
URR64	6.40	11.60	21.50			
URR84	8.40	11.60	21.50			
UBR37	3.70	6.60	14.40			
UBR43	4.30	8.50	16.80			
UBR53	5.30	9.50	16.80			
UBR64	6.40	12.00	21.20	4.00	5.40	0.80
UBR84	8.40	12.00	21.20			
UBR105	10.50	13.70	25.50			
UYR53	5.30	9.50	19.50			
UYR64	6.40	12.00	25.50	5.70	7.00	1.00
UYR84	8.40	15.00	27.70			

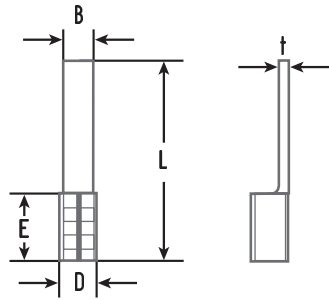
## + FORK/SPADE TERMINALS



CAT NO	DIMENSIONS (mm)					
	d2	B	L	D	E	t
URS32	3.20	5.70	16.00			
URS37	3.70	6.20	16.00			
URS43	4.30	7.20	16.00			
URS53	5.30	8.00	16.00			
UBS37	3.70	6.20	16.00	4.00	5.40	0.80
UYS64	6.40	12.00	23.00	5.70	7.00	1.00

## UN-INSULATED CRIMP TERMINALS

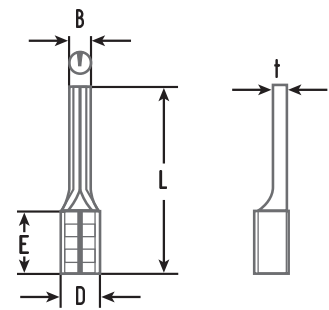
### + BLADE TERMINALS



CAT NO	DIMENSIONS (mm)				
	B	L	D	E	t
URB18	2.45	23.00	3.45	4.30	0.75
UBB18	2.45	23.00	4.10	5.10	0.80



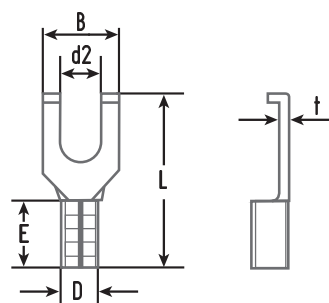
### + PIN TERMINALS



CAT NO	DIMENSIONS (mm)				
	B	L	D	E	t
UBP10	2.00	14.50	3.45	4.30	0.80



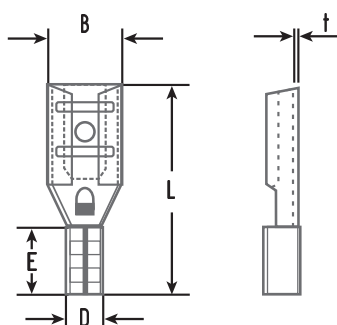
### + FLANGED FORK/SPADE



CAT NO	DIMENSIONS (mm)				
	B	L	D	E	t
UBFS43	7.20	14.10	3.45	4.30	0.80



### + FEMALE PUSH ON



CAT NO	DIMENSIONS (mm)				
	B	L	D	E	t
URF66	6.70	16.10	3.00	5.40	0.40

